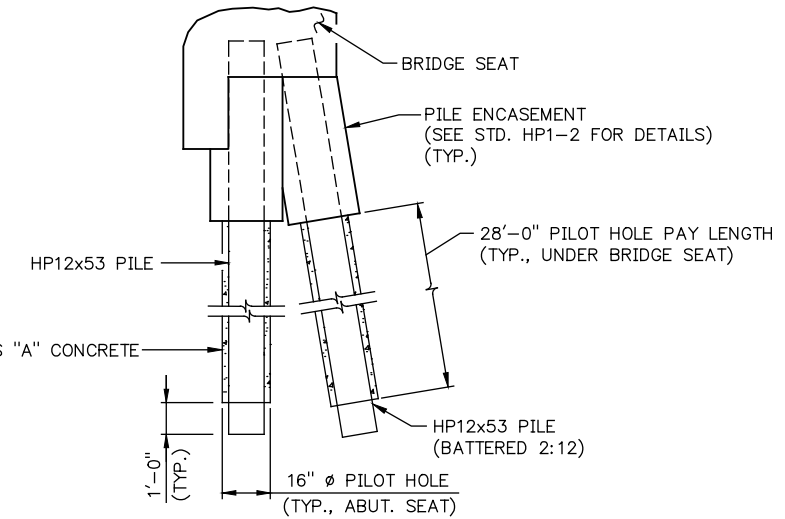


SUBSTRUCTURE STAKING DIAGRAM
(NOT TO SCALE)

TOP OF PILE ELEVATION SCHEDULE		
LOCATION	ABUTMENT 1	ABUTMENT 2
BRIDGE SEAT	1742.25	1735.16
WINGS	1746.25	1739.16

C PIER STATION	
PIER	CRL STATION
1	582+80.46
2	583+80.46
3	584+80.46
4	585+80.46
5	586+80.46
6	587+80.46
7	588+80.46
8	589+80.46
9	590+80.46

NOTES: ALL DIMENSIONS ARE HORIZONTAL DIMENSIONS.
FOR THE SUMMARY OF QUANTITIES, SEE SHEET NO. 32.
SEE STD. HP1-2 FOR STEEL PILE ENCASEMENT DETAILS.



PILOT HOLE DETAILS
(USE AT ABUTMENT 1 SEAT PILES ONLY)

SUBSTRUCTURE STAKING DIAGRAM
BRIDGE "A" C.R.L. STA. 586+80.46